

# MP-AW4001 / MP-AW3001

Our First Ever 3LCD  
Ultra Short Throw Projectors



**PJLink™**

**CRESTRON**

Extron  
**XTP**  
CERTIFIED

**Laser**

**HDMI™**  
HIGH-DEFINITION MULTIMEDIA INTERFACE

**AMX**

**3LCD**

**Introducing our highly innovative new 3LCD MP-AW4001 / MP-AW3001 laser projectors which combines all our technical expertise with our market leading knowledge.**

This new 3LCD projector is environmentally friendly as it contains no mercury lamp, provides a significant reduction in maintenance costs, as this new laser diode light source offers approx. 20,000 hours of operation time.

This new ultra-short throw projector can reach up to 4200 ANSI lumens by using our highly efficient optical engine, providing clarity on images even within very bright / light environments.

#### Key Features:

Approx. 20,000 hrs maintenance free operation for laser light source

WXGA 1280 x 800 resolution

Up to 4200 ANSI lumens white/colour output

500,000:1 Contrast ratio

Image size up to 130" with category leading offset

Powered focus

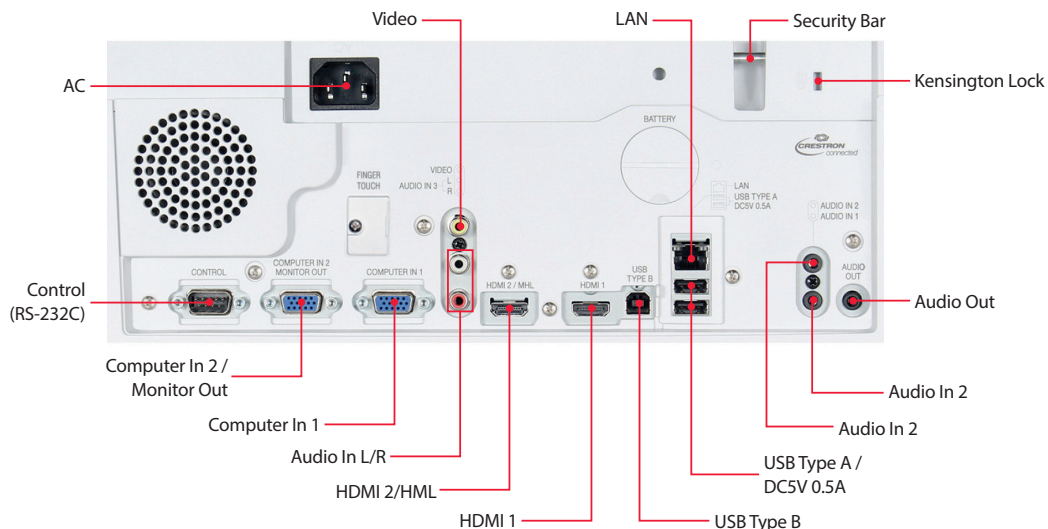
20,000 hrs/5 year warranty (whichever comes first)

# MP-AW4001 / MP-AW3001 3LCD Laser Ultra Short Throw Projectors

## Technical Specifications

<b>Panel Size</b>	3 LCD 15mm (0.59" )
<b>Panel Structure</b>	3LCD
<b>Resolution</b>	WXGA (1280 x 800)
<b>Light Output (Brightness) ANSI Lumens</b>	MP-TW4001: 4200 (Normal) MP-TW3001: 3300 (Normal)
<b>Contrast Ratio</b>	500,000:1
<b>System (Hours)</b>	20,000
<b>Lens</b>	Built-in
<b>Lens Zoom</b>	Digital zoom x 1.35
<b>Lens Focus</b>	Powered focus
<b>Projection Lens F Number</b>	1.6
<b>Throw Distance</b>	0.413m - 0.903m (centre of glass to screen)
<b>Distance to Width Ratio/ Throw Ratio (:1)</b>	0.3
<b>Diagonal Display Size</b>	60 - 130"
<b>Installation</b>	Ceiling, Tabletop, Rear, Vertical 360° Projection
<b>Speakers</b>	16W mono
<b>Digital Keystone Correction (Degrees)</b>	Horizontal: ± 5° / Vertical: ± 5°
<b>Picture Modes</b>	Normal, Cinema, Dynamic, Whiteboard, DICOM SIM, User-1, User-2, User-3
<b>Picture Adjustments</b>	ASPECT selection (normal/4:3/16:9/16:10/14:9/ zoom/native), Perfect fit (4 corners and 4 sides), Frame lock (data signal with vertical frequency of 49 to 51 Hz, 59 to 61 Hz), HDCR, Image blank by RS232C/remote control, Image optimizer, Magnify, Mirror reverse Image, Up-side down image
<b>Operating Features</b>	Keystone V/H, PerfectFit, Standby audio, Audio pass through, Cloning function, Easy schedule
<b>Network Features</b>	Wireless capability (Option), Multi projector, Moderator control mode <sup>o</sup> , Projector quick connection (iOS / Android app), Projector monitoring and Control
<b>Security Features</b>	Password/Myscreen Password, Pin Lock, Key Lock
<b>Supported Languages</b>	34 Languages (English, French, German, Spanish, Italian, Norwegian, Dutch, Japanese, Portuguese, Simplified Chinese, Traditional Chinese, Korean, Swedish, Russian, Finnish, Polish, Turkish, Arabian, Persian, Czech, Danish, Hungarian, Romanian, Slovenian, Croatian, Greek, Lithuanian, Estonian, Latvian, Thai, Portuguese(Brazil), Indonesian, Vietnamese, Hebrew)
<b>Digital Input</b>	HDMI x 2 (HDCP compliant, HDMI 2 shared with MHL)

<b>Analogue Input</b>	15-pin Mini-D-Sub x 2, RCA Jack x 1
<b>Video Output</b>	15 pin Mini D-Sub x 1 (shared with analog computer input)
<b>Audio Input</b>	3.5mm Stereo Mini Jack x 2, RCA Jack (L/R) x 1
<b>Audio Output</b>	3.5mm Stereo Mini Jack x 1
<b>RS-232C Control</b>	1 x 9-pin D-Sub
<b>Wireless LAN</b>	USB-WL-5GM (IEEE802.11 a/b/g/n/ac: 2.4GHz/5GHz) (Optional)
<b>Wired LAN</b>	RJ45 connector x 1
<b>USB Type-A</b>	USB Type A x 2 (PC less presentation or wireless adapter)
<b>USB Type B</b>	USB Type B x 1 (USB display or USB mouse control)
<b>Power Supply</b>	AC 100V – 120V / AC 220V – 240V (50/60Hz)
<b>Operating Power Consumption</b>	MP-AW4001: 350W / MP-AW3001: 280W
<b>Standby Power Consumption</b>	Less than 0.5W
<b>Weight</b>	MP-AW4001: 7.6Kg / MP-AW3001: 7.4Kg
<b>Dimensions (W x H x D)</b>	512 x 424 x 155mm
<b>Noise (Normal)</b>	34dB (Normal), 28dB (Whisper)
<b>Filter Life (Hours)</b>	20,000
<b>Computer</b>	IBM Compatible VGA, SVGA, XGA, WXGA, WXGA+/SXGA/WXGA+/UXGA/HD (Compressed), MAC16"
<b>Certification</b>	CE Marking, EN61000-3-2, EN61000-3-3, EN55032 (Class A), EN55035 (EMC Directive), EN60950-1 (Low Voltage Directive), WEEE/RoHS/ErP compliant
<b>Video</b>	525i (480i), 525p (480p), 625i (576i), 625p (576p) 1125i (1080i@50/60), 1125p (1080p@50/60)
<b>Supplied Accessories</b>	Power Cable (4.5m) x1, Computer Cable (5.0m) x1, USB Cable (5m) x1, IR Remote Control Unit x1, AA Batteries x2, Concise User Manual x1, Application DVD (for interactive model) x1, Security Label x1, Adapter Cover x1, HDMI Cable Holder x2, Cable Tie (large x1, medium x2, small x1), Ferrite Core x1, Hook Metal x1, Screw x1, Interactive Pen x2, Pen
<b>Optional Accessories</b>	USB wireless adapter USB-WL-5GM, Wall mount unit: HAS-WM06M (In some buying conditions wall mount is included)
<b>Filter</b>	UX43251
<b>Remote Control</b>	HLO3037, UX43251
<b>Projector/ Light source Warranty</b>	20,000 hours / 5 years (whichever comes first) (for extended warranties please contact your local dealer)



Dealer Stamp

**maxell**  
Within, the Future

**Maxell Limited**  
Whitebrook Park, Lower Cookham Road  
Maidenhead, Berkshire, SL68YA  
Tel: +44 (0)1628 585 000 / Fax: +44 (0)1628 585 163  
www.maxelldisplay.com